

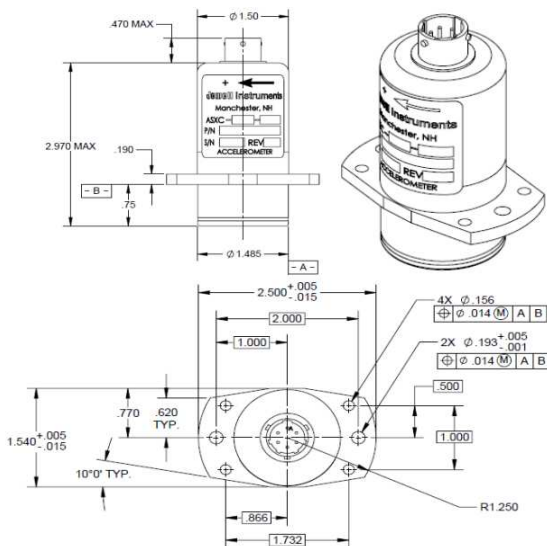
## ASXC

### Angular Accelerometer

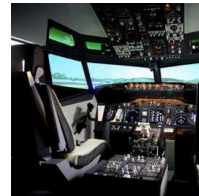
The Jewell ASXC Series Fluid Rotor Angular Accelerometer is a force balanced servo accelerometer that uses a fluid-filled ring chamber to measure angular acceleration. The ASXC is currently used in a wide variety of applications such as many military and aviation flight controls including autopilot or aircraft stability and control systems or satellite stability.

#### FEATURES:

- Standard Input Ranges  $\pm 2$  to  $\pm 100$  rad/sec<sup>2</sup>
- Resolution to 0.001 rad/sec<sup>2</sup>
- Very High Output to Size Ratio
- Self-test for Greater Than 95% Fail Detection
- -30°C to +70°C Operating Temperature Range



Dimensions: in [mm]



#### APPLICATIONS:

- Aircraft Stability Augmentation
- Race car Performance Testing
- Camera Angular Motion Stabilization
- Autopilot System Input
- Rotating System Performance Testing
- FLIR
- Flight Simulation
- Dyno Testing
- Weapons Control and Targeting
- Airframe Fatigue Monitoring

#### PIN OUTS

<b>A</b>	+15 VDC
<b>B</b>	Signal PWR & GND
<b>C</b>	-15 VDC
<b>D</b>	Eo (Voltage Output)
<b>E</b>	Factory Test Return
<b>F</b>	Factory Test (Optional)



# PERFORMANCE SPECIFICATIONS

## PERFORMANCE

<b>INPUT RANGE (rad/sec<sup>2</sup>)<sup>1</sup></b>	±2	±10	±20	±50	±100
<b>FULL RANGE OUTPUT (FRO V± 1.0%)</b>	±10.0				
<b>NON LINEARITY (%FRO max)<sup>2</sup></b>	1.0				
<b>SCALE FACTOR (Volts/rad/sec<sup>2</sup>, nominal)</b>	5.0	1.0	0.5	0.2	0.1
<b>SCALE FACTOR TEMP. SENSOR (%reading/°C, max)</b>	0.09				
<b>BIAS (rad/sec<sup>2</sup>, max)</b>	±0.005	±0.020	±0.030	±0.080	±0.100
<b>BIAS TEMPERATURE (rad/sec<sup>2</sup>/°C, max)</b>	0.001				
<b>NATURAL FREQUENCY (Hz, Min.)</b>	100	150	150	170	170
<b>DAMPING RATIO (Nominal)</b>	0.9				
<b>INPUT-AXIS MISALIGNMENT (° max)</b>	±0.025				
<b>RESOLUTION &amp; THRESHOLD (rad/sec<sup>2</sup>, max)</b>	0.001	0.001	0.002	0.005	0.010

## ELECTRICAL

<b>AXES</b>	1				
<b>INPUT VOLTAGE RANGE (VDC, 10%)</b>	±15				
<b>INPUT CURRENT (mA, max.)</b>	25				
<b>OUTPUT IMPEDANCE (Ohms, nom)</b>	100				
<b>NOISE (Vrms max)</b>	0.03	0.03	0.05	0.05	0.05

## ENVIRONMENTAL

<b>OPERATING TEMPERATURE RANGE</b>	-30° to +70°C
<b>SURVIVAL TEMPERATURE RANGE</b>	-40° to +70°C
<b>SEAL</b>	MIL-STD 202, Method 112
<b>WEIGHT. oz (grams)</b>	8.5 oz.

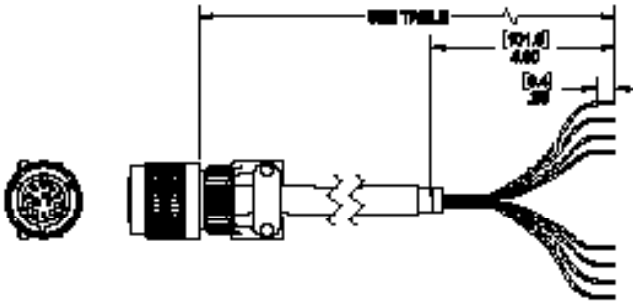
Notes:

1. Full range is defined as "from negative full input acceleration to positive full input acceleration."
2. Nonlinearity is specified as deviation of output referenced to a best fit straight line, independent of misalignment.
3. This product falls under the trade classification of 7A994

Specifications subject to change without notice on account of continued product development

# ACCESSORIES

## CONNECTOR CABLE



PART #	MODEL #	LENGTH m (ft)
62101011-001	6-Pin Mating Connector	-
879605-007	DSI-CBL-02M-1	2 (6.56)
879605-008	DSI-CBL-03M-1	3 (9.84)

# ORDERING INFORMATION

## HOW TO ORDER

	MODEL #	PART #
<b>±2</b>	ASXC-2	02550271-000
<b>±10</b>	ASXC-10	02550267-000
<b>±50</b>	ASXC-50	02550257-000
<b>±100</b>	ASXC-100	02550262-000

850 Perimeter Road Manchester, NH 30103 USA

SENSORS: 800.227.5955

www.jewellinstruments.com | sensors@jewellinstruments.com

© Jewell Instruments 2025

**Jewell**  
Instruments

ISO9001  
CERTIFIED