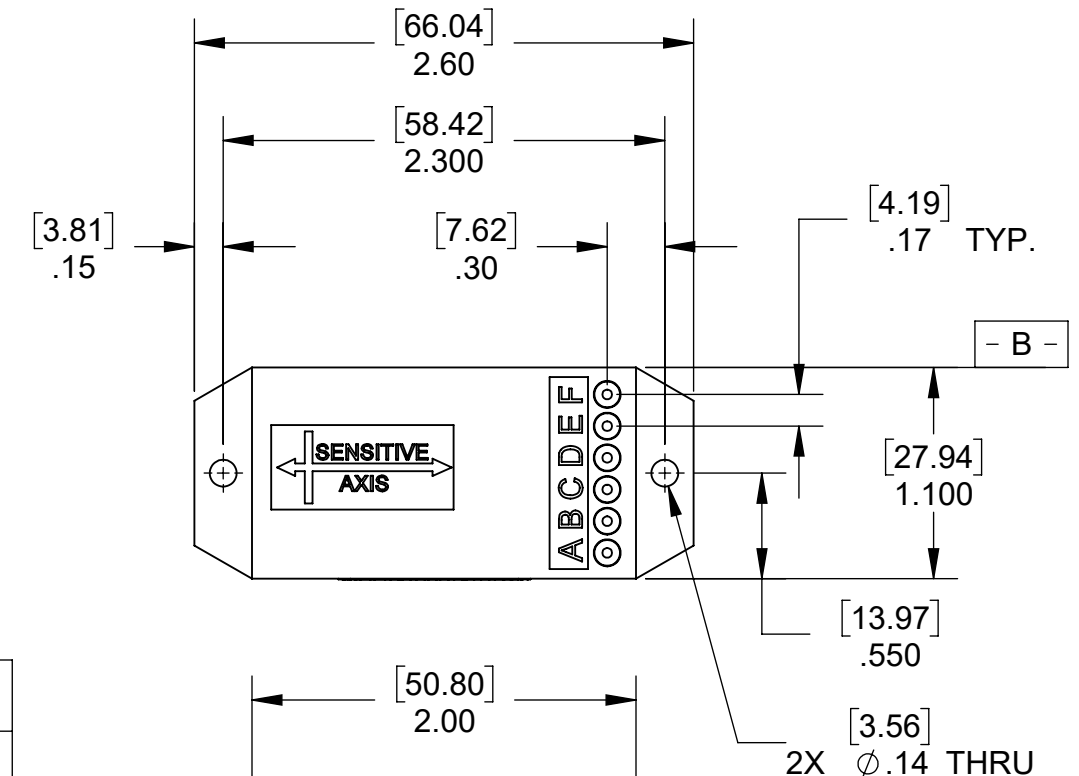
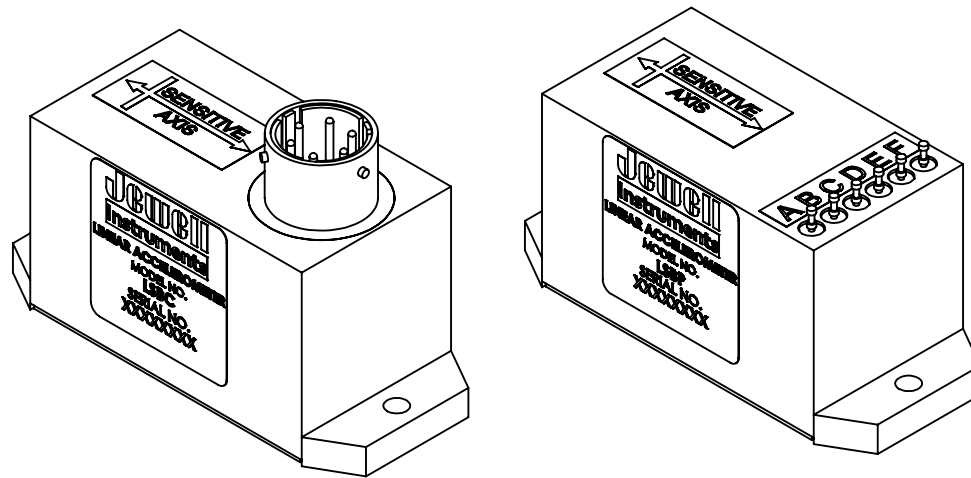
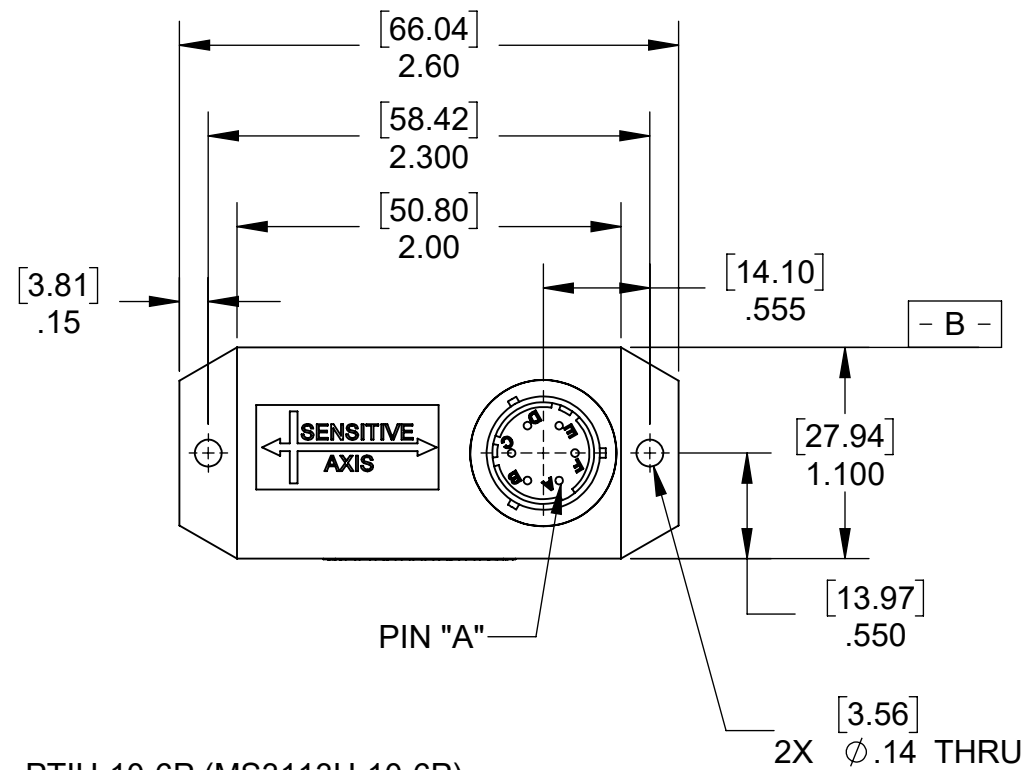
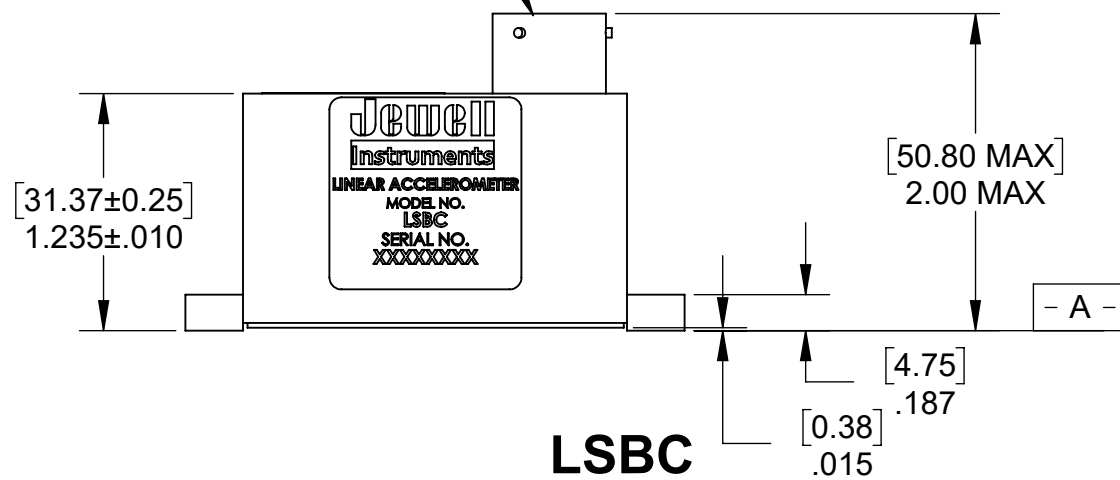


REVISIONS

REV	DESCRIPTION	DATE	ECO	DRFTSMN
A	RELEASE TO PRODUCTION	10-17-13	25823	TAD

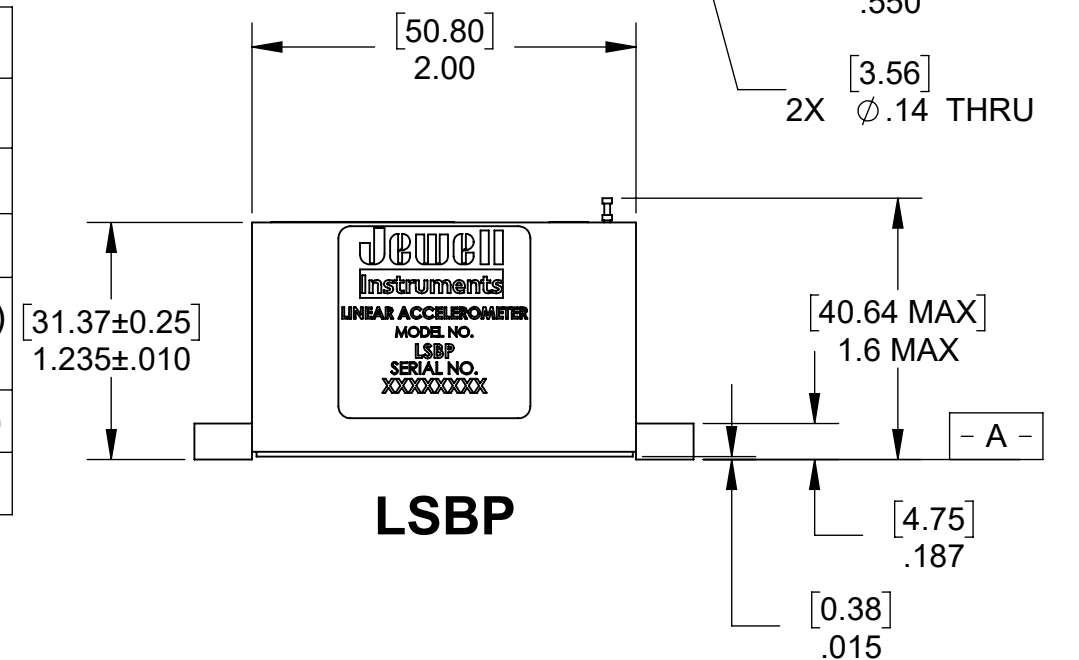


PTIH-10-6P (MS3113H-10-6P)
MATES WITH PT06A-10-6S



PIN	FUNCTION
A	+VDC POWER
B	POWER COMMON
C	-VDC POWER
D	VOLTAGE OUTPUT (HIGH SIDE) & SELF TEST RETURN
E	VOLTAGE OUTPUT (LOW SIDE)
F	SELF TEST

EXTERNAL JUMPER 3



NOTES:

- DATUM **-A-** AND **-B-** ARE DEFINED AS REFERENCE SURFACES.
- CAUTION!** A 0.1 F, 200 VOLT CAPACITOR IS CONNECTED INTERNALLY FROM PIN B TO CASE. TAKE THIS INTO ACCOUNT IF DIELECTRIC TEST IS MADE FROM PIN TO CASE.
- JUMP PINS B & E FOR VOLTAGE OUTPUT OPERATION.
- DIMENSION ARE IN $\frac{[mm]}{in}$

APPLICATION		DIMENSIONS ARE IN INCHES AND APPLY TO PART BEFORE FINISHING	
USED ON	NEXT ASSY	TOLERANCE UNLESS SPECIFIED	
		TWO PLACE DECIMALS (.00) ± .01	
		THREE PLACE DECIMALS (.000) ± .005	
		ANGLES ± 1°	
		RAW MATL - COMMERCIAL STANDARD	
MATERIAL		DRAWN	DATE
		TAD	10/17/2013
		CHECKER	DATE
		DAP	10-22-13
FINISH		APPROVED	DATE
		NCD	10-22-13

Jewell Instruments
MANCHESTER, NH
TRIPLETT MODUTEC A&M EMICO

PROPRIETARY NOTICE
THIS DRAWING IS THE PROPERTY OF JEWELL INSTRUMENTS, LLC. NEITHER THIS DOCUMENT NOR THE DATA CONTAINED HEREIN SHALL BE DISCLOSED, REPRODUCED IN WHOLE OR IN PART WITHOUT THE WRITTEN AUTHORIZATION OF JEWELL INSTRUMENTS, LLC. NO RIGHT IS GRANTED TO DISCLOSE OR SO USE ANY INFORMATION CONTAINED HEREIN. ALL RIGHTS RESERVED.

TITLE	
LSB ACCELEROMETER OUTLINE DRAWING	
DRAWING NO.	
OD02550275-000	
SCALE	CAGE CODE
1:1	33005
SHEET 1 OF 1	